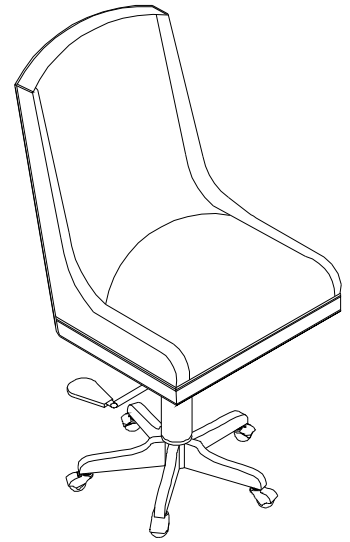


**Warning :**

- Be sure to check all packing material carefully for small parts, which may have come loose inside the carton during shipment.
- To prevent possible scratches and damage, this furniture **MUST BE ASSEMBLED BY TWO PEOPLE** on a soft surface such as a blanket or carpet.



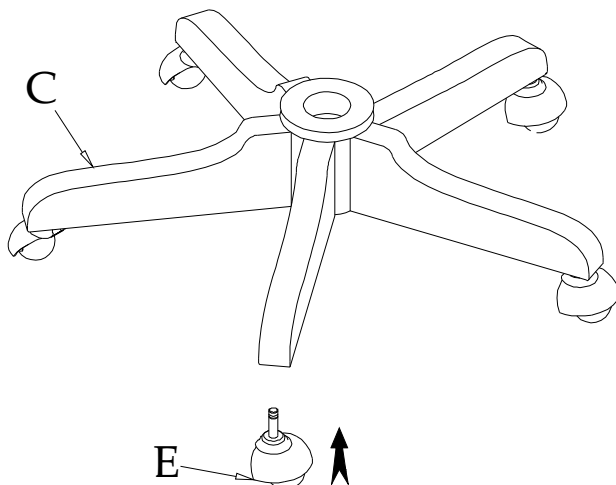
#12038

Uph Desk Chair 1IN

Components and Hardware List

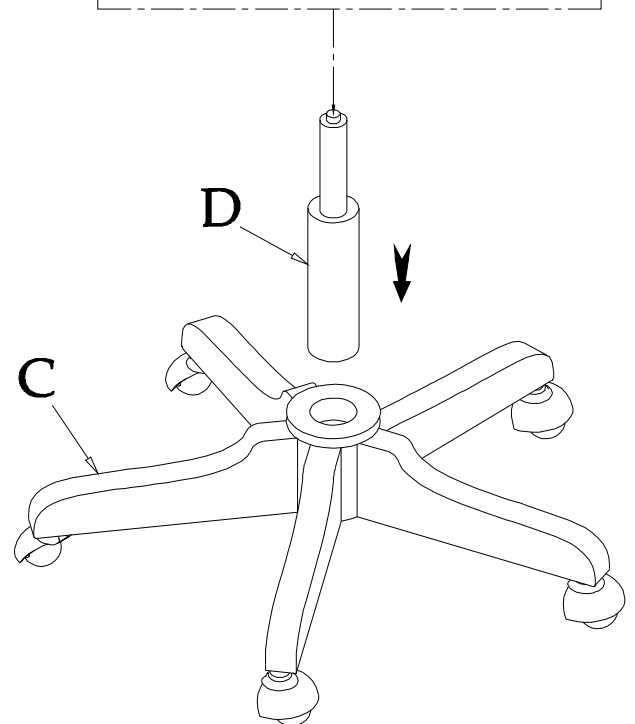
Seat and Back Assembly	Seat Control	Leg Frame	Pneumatic Cylinder	Caster	Ø5/16" x18 x 1" Allen Head Bolt	Ø5/16" x Ø12 x 3 Spring Washer	Ø5/16" x 19 x 2 Flat Washer	5mm Allen Key
<b>A</b> 1 pc.	<b>B</b> 1 pc.	<b>C</b> 1 pc.	<b>D</b> 1 pc.	<b>E</b> 5 pcs.	<b>F</b> 4 pcs.	<b>G</b> 4 pcs.	<b>H</b> 4 pcs.	<b>I</b> 1 pc.

Step 1

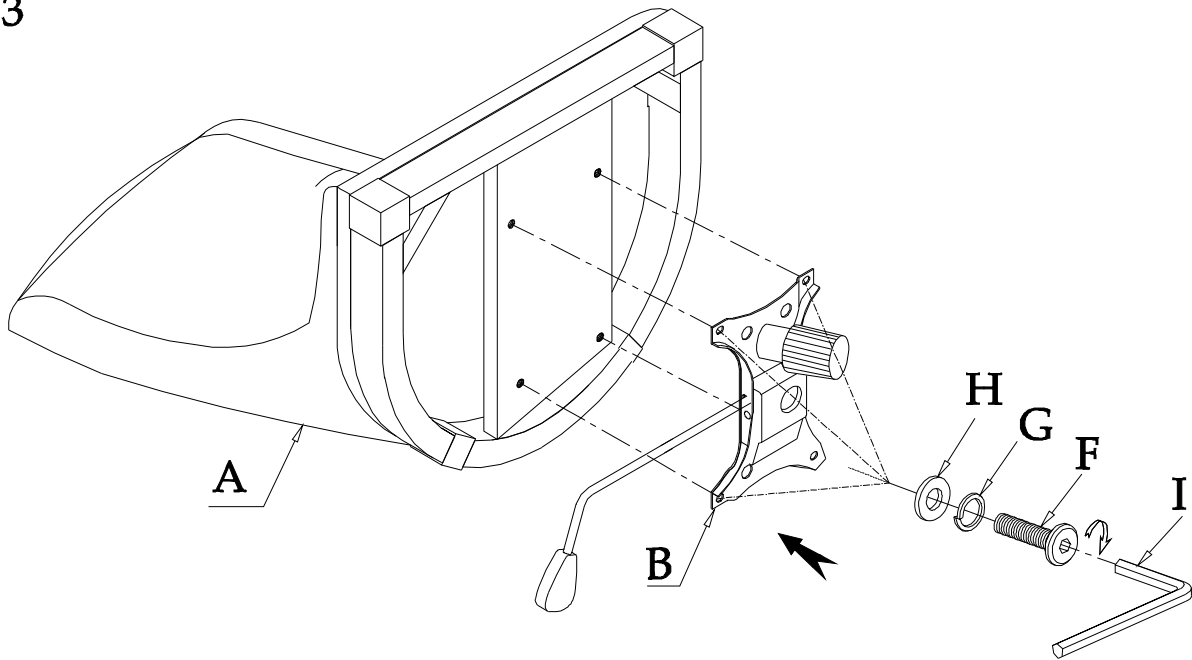


Step 2

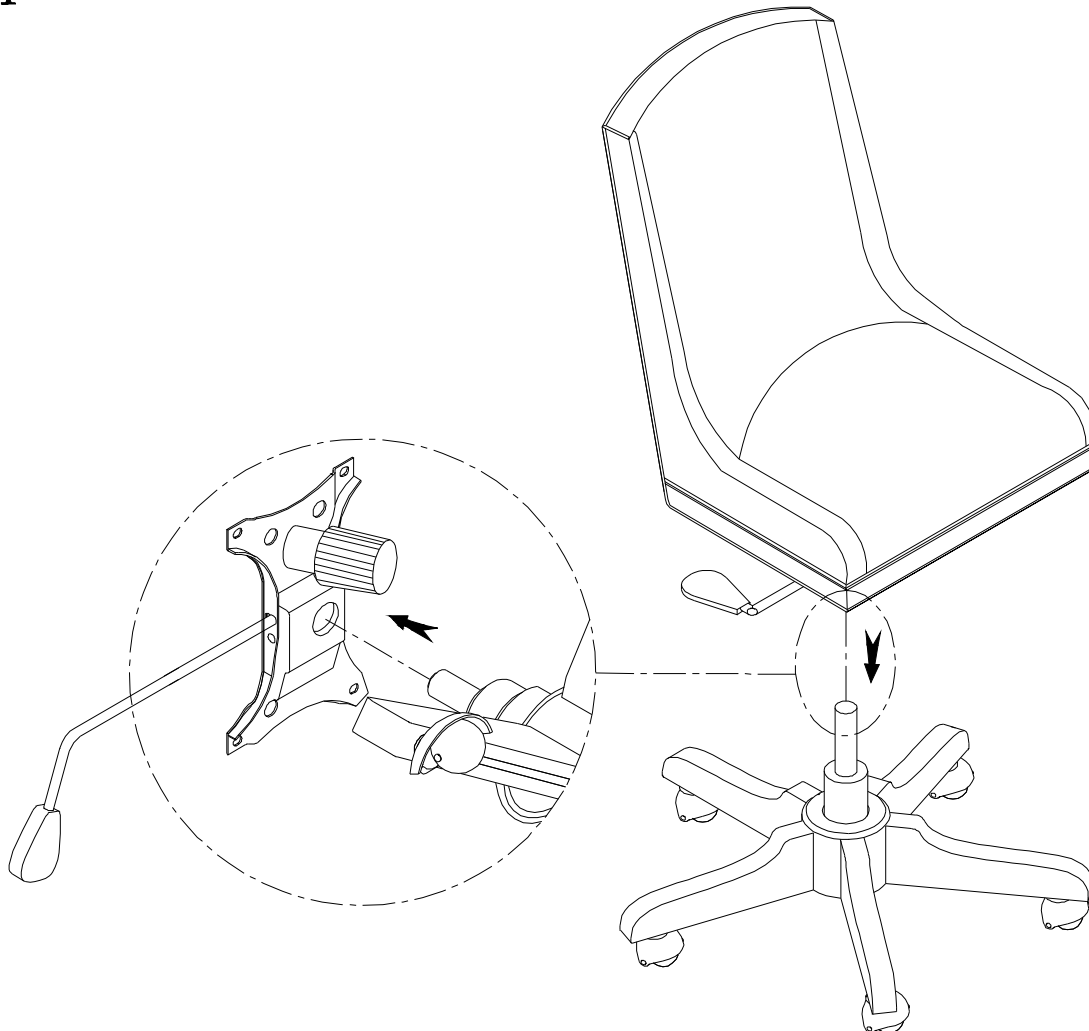
If present, remove the plastic cover from the top end of the cylinder before assembling to seat



**Step 3**



**Step 4**



Note: To prevent possible damage to some type of flooring, never roll casters on unprotected hardwood or vinyl flooring. The lift mechanism is in a locked position for shipping. To unlock, pull straight out on the handle, and then the lift cylinder can be activated by lifting the handle.